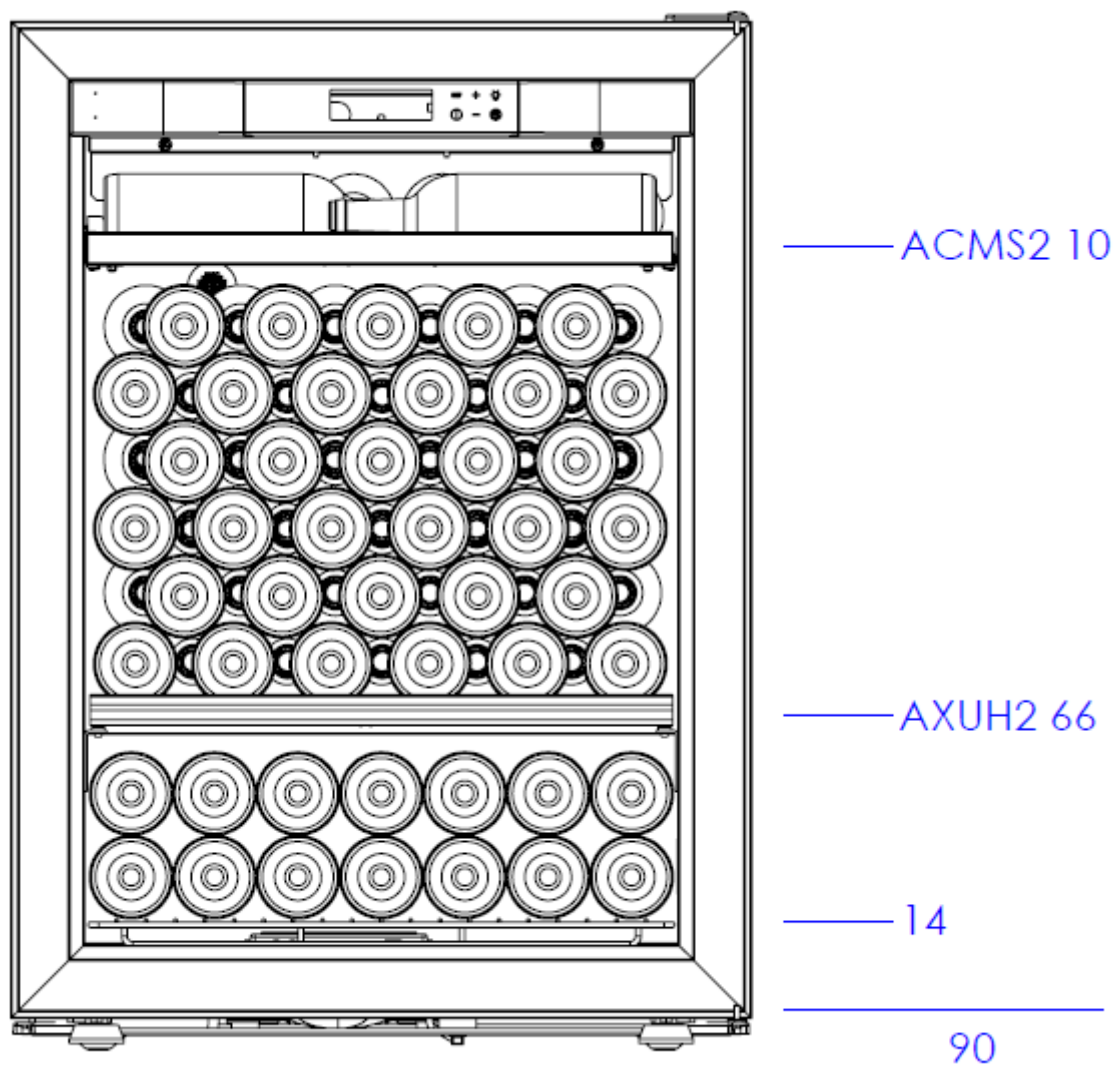
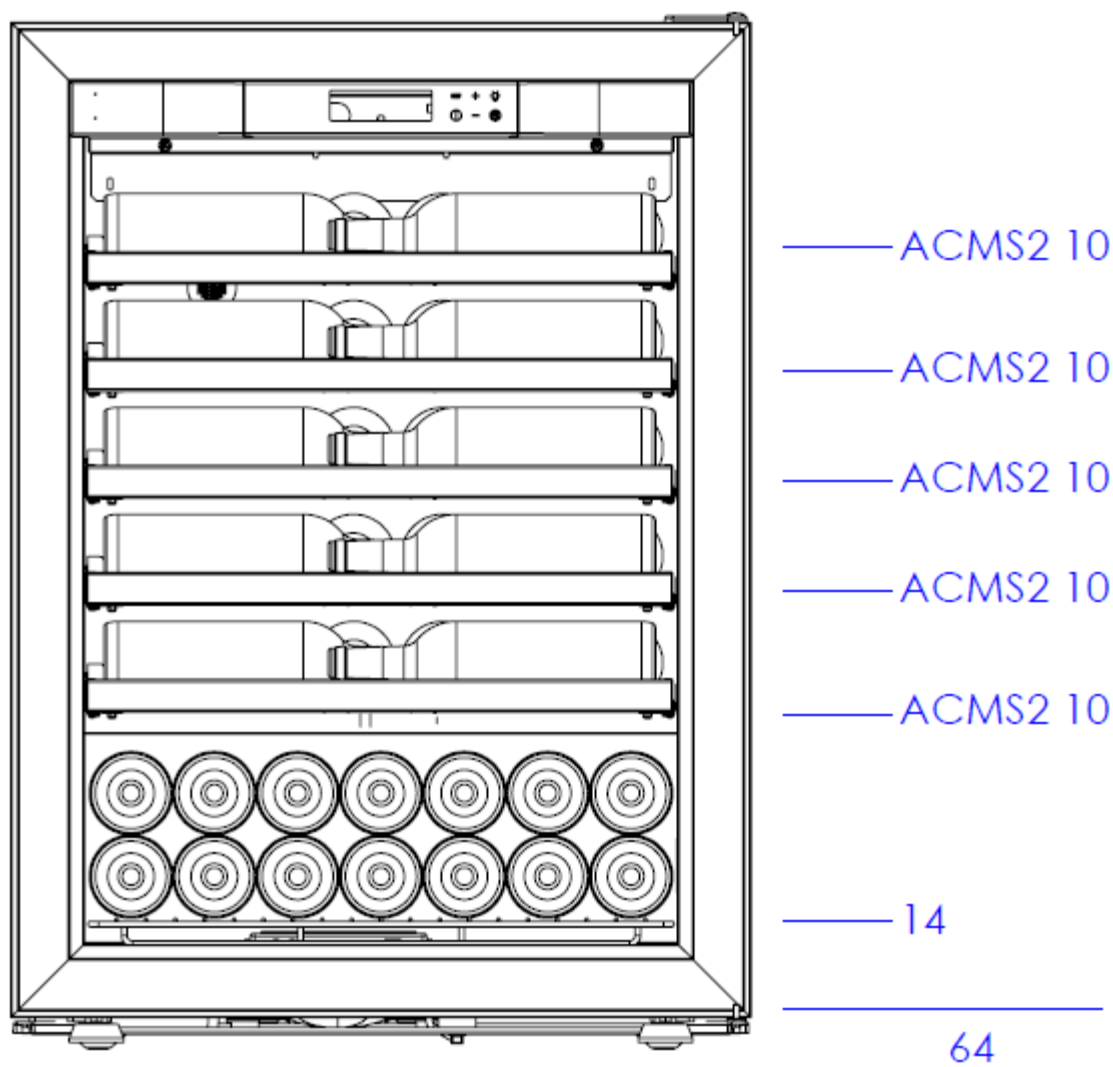


Gamme REVELATION / REVELATION range



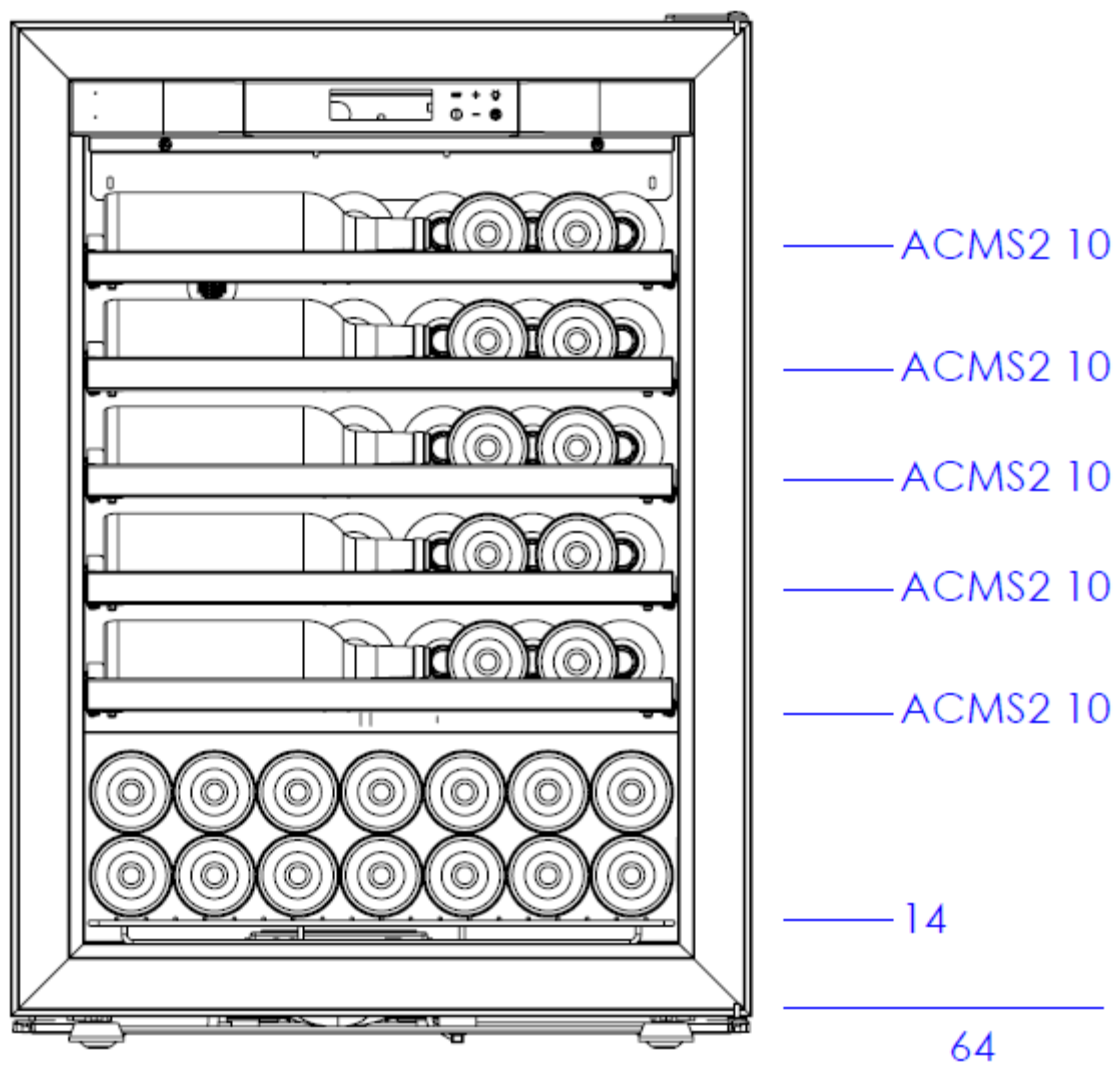
V-REVEL-S / S-REVEL-S
Pack ACCESS

Gamme REVELATION / REVELATION range



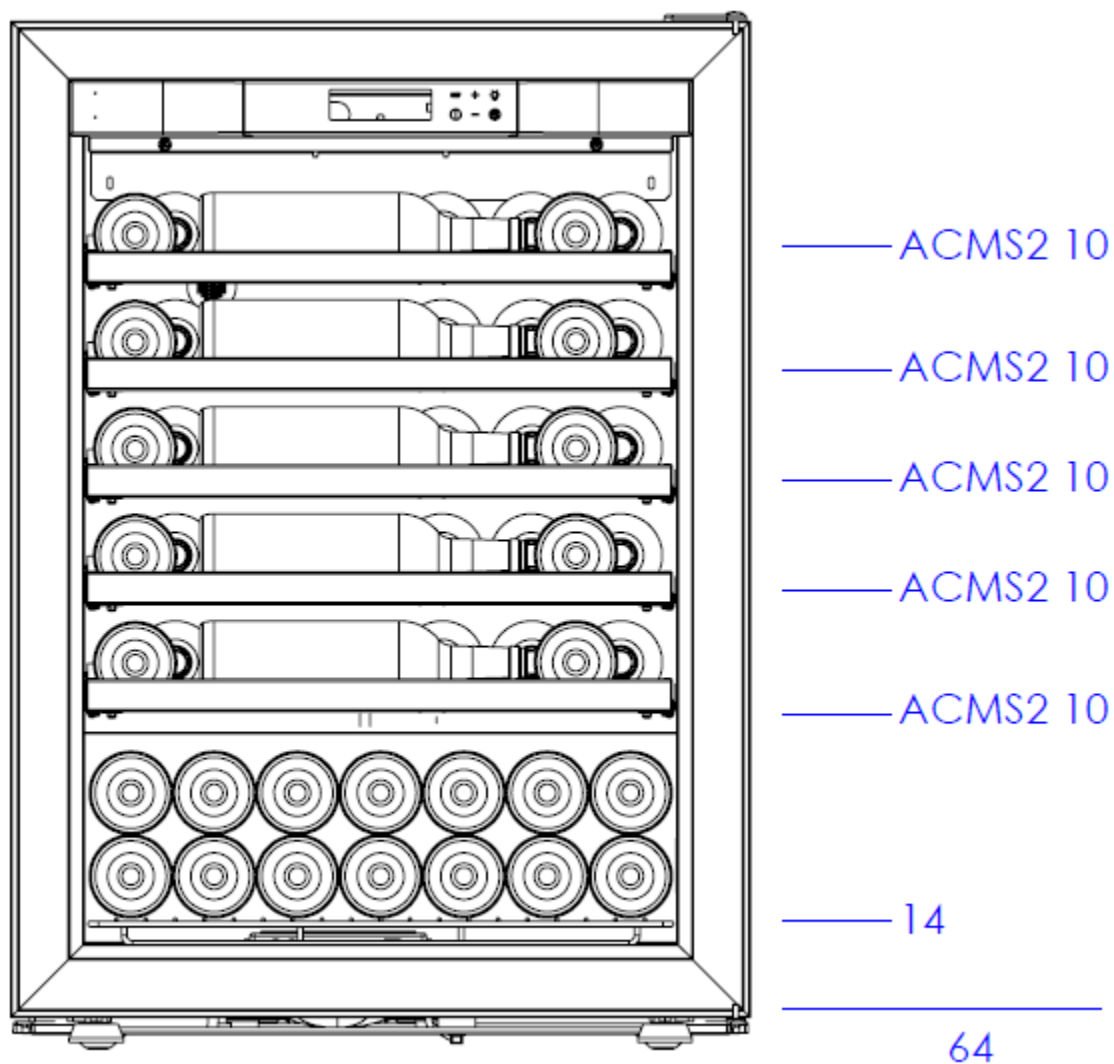
V-REVEL-S / S-REVEL-S
Pack PREMIUM

Gamme REVELATION / REVELATION range



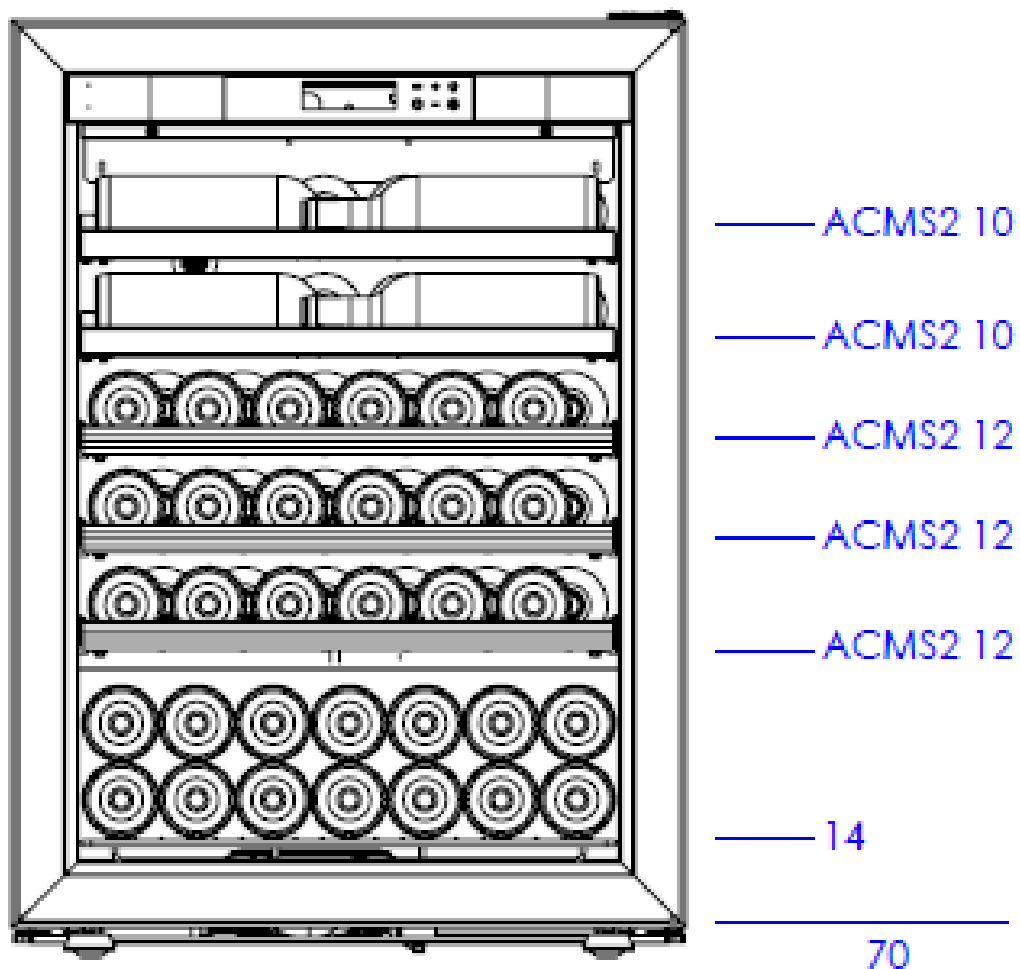
V-REVEL-S / S-REVEL-S
Pack PREMIUM

Gamme REVELATION / REVELATION range



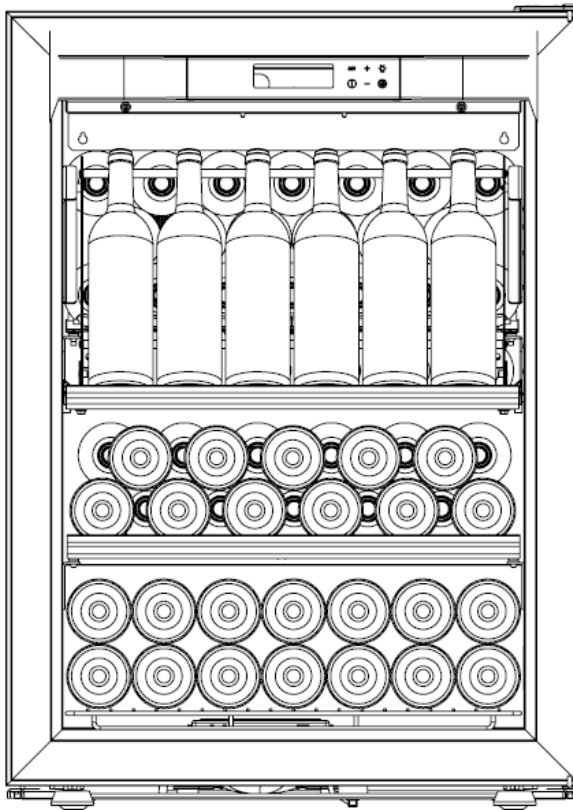
V-REVEL-S / S-REVEL-S
Pack PREMIUM

Gamme REVELATION / REVELATION range



V-REVEL-S / S-REVEL-S
Pack PREMIUM

Gamme REVELATION / REVELATION range



————— AOPRESAR2 => 32 bts

————— AXUH2 => 22 bts

————— Clayette fils => 14 bts

—————
68 bouteilles

V-REVEL-S / S-REVEL-S
Pack PREMIUM